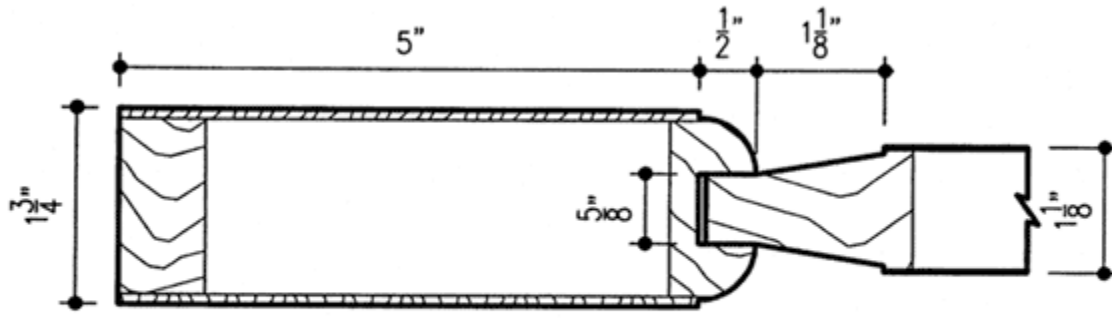
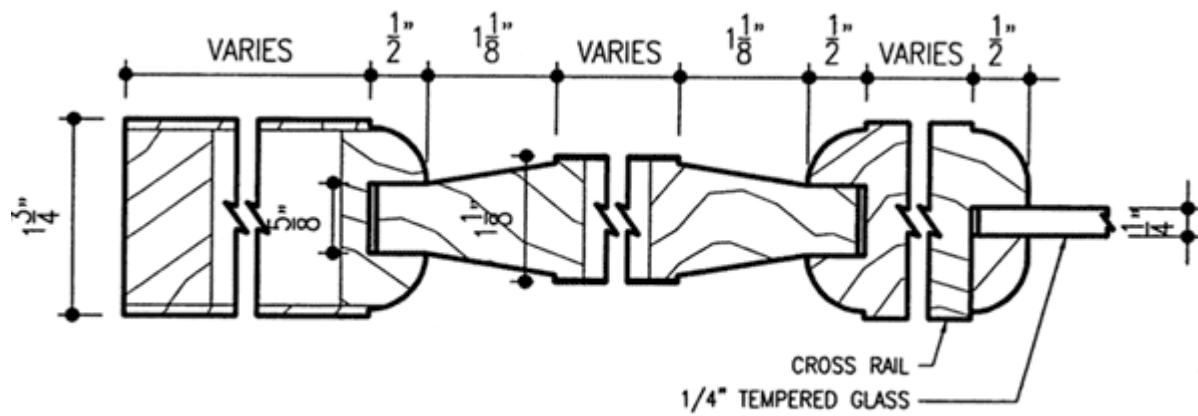


Standard Profiles/Panel Doors

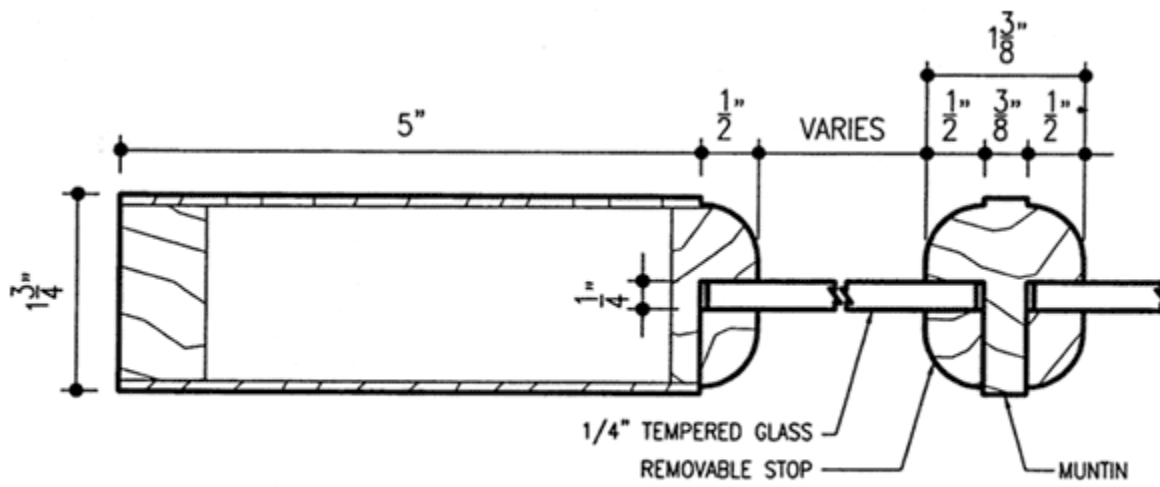
Interior Profiles A-1



1 3/4" RAISED PANEL DOOR



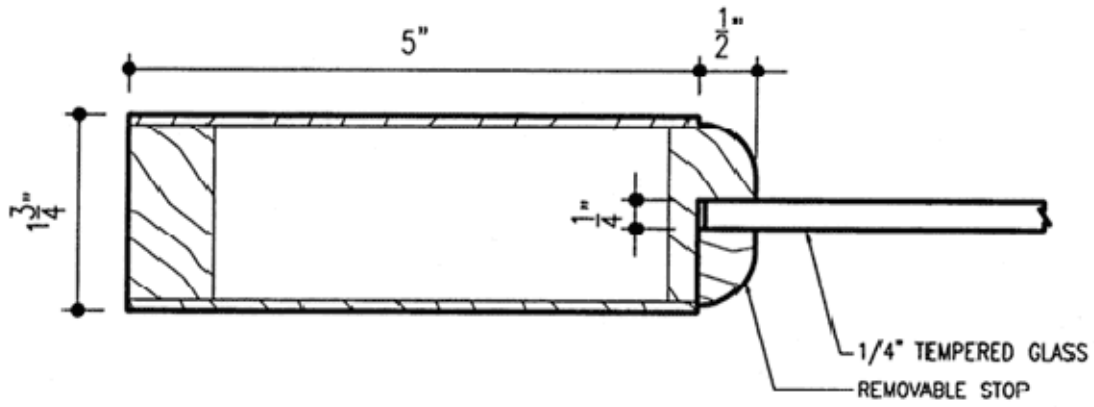
1 3/4" RAISED PANEL DOOR WITH 1/4" GLASS



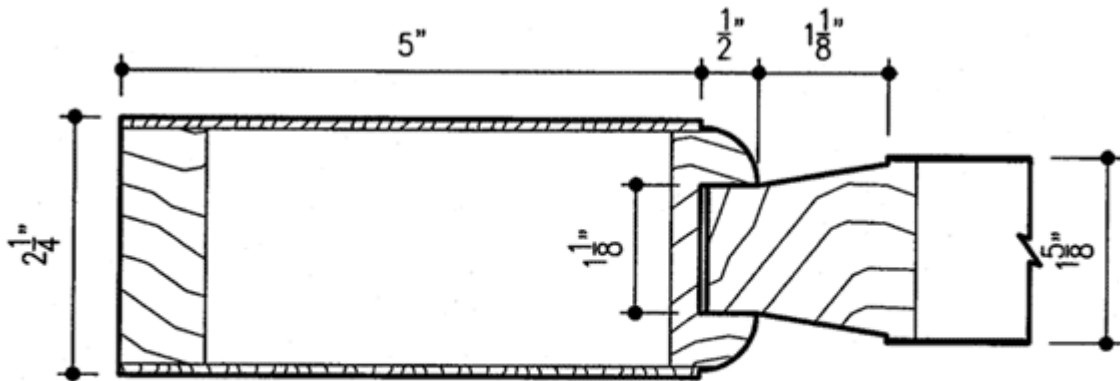
1 3/4" FRENCH DOOR WITH 1/4" GLASS

Standard Profiles/Panel Doors

Interior Profiles A-1 - Continued



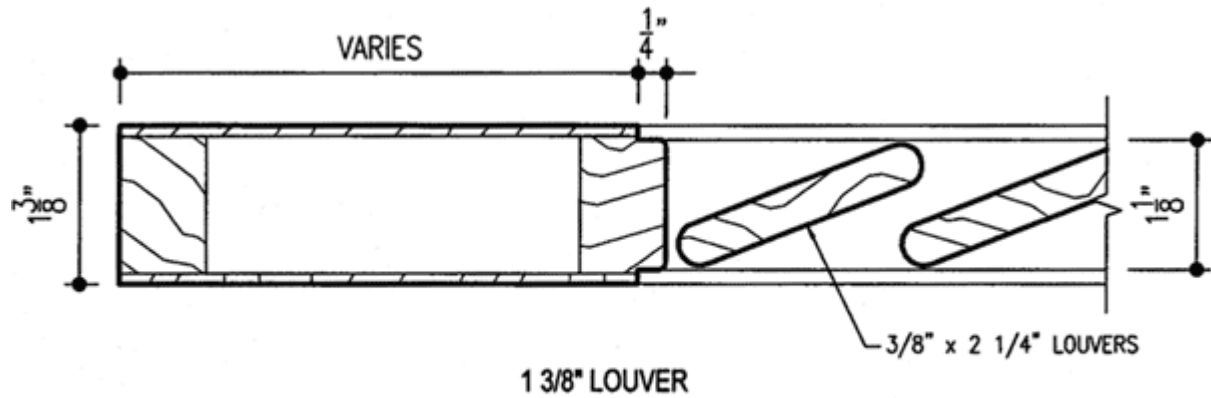
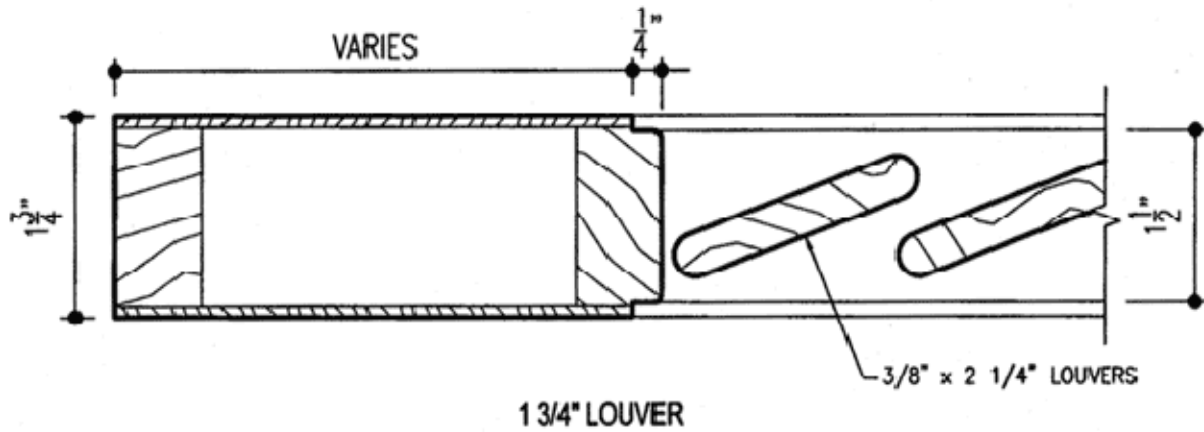
1 3/4" FULL LITE DOOR WITH 1/4" GLASS



2 1/4" RAISED PANEL DOOR

Standard Profiles/Panel Doors

Interior Profiles L1



3799 Commerce Rd
London . Ontario
Canada . N6N 1P9
Toll Free: 1-888-689-0683
Local: 1-519-644-2444
Fax: 1-519-644-2520
email: harring@harringdoors.com
<http://www.harringdoors.com>